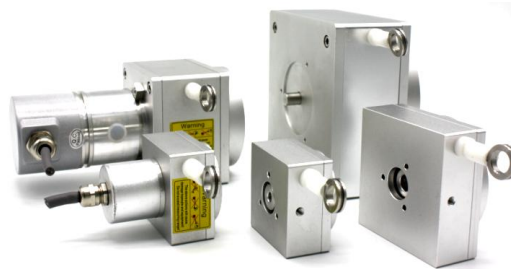


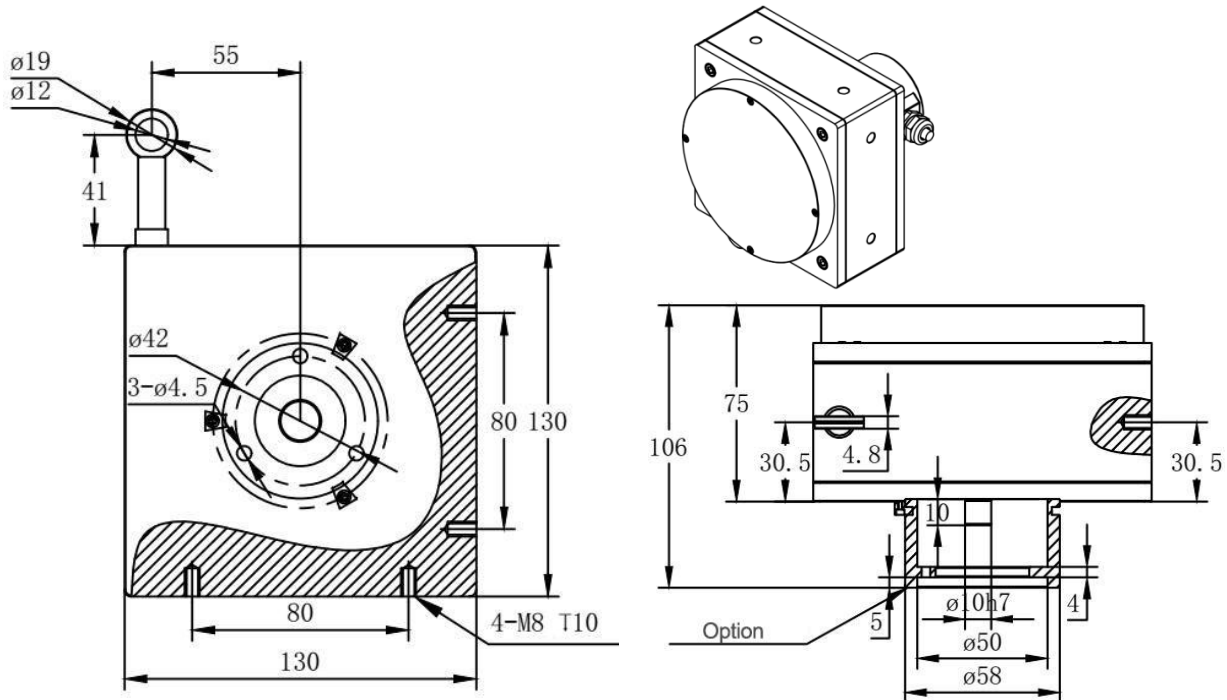
Features and applications:

- Measuring range 0---6000 mm
- Various interface for option
- Compact housing and flexible assembly
- High resolution
- Applied in harsh environments



Model	RNLS348-5M	RNLS348-6M
Measuring range	5000mm	6000mm
Limit range	5300mm	6200mm
Single turn length	348.7mm	348.1mm
Cable diameter	1.0mm	0.81mm
Tension range	10-21N	
Measuring accuracy	±0.05%	
Measuring speed	4m/s	
Body material	Aluminum	
Cable material	316Lstainless steel with plastic coating	
Operating temperature	-45°C.....+105°C	
Protection class	IP54/IP65	
Life time	5 million times	
Optional signal for Absolute value encoder		
Output signal	4-20mA , 0-5V , 0-10V , 0-20mA , SSI , Parallel , RS485 , MODBUS-RTU , Profibus-DP , CANopen	
Operating voltage	10....30VDC or 5VDC (reverse polarity protection, over-voltage protection)	
Signal adjustment	Corresponding value of each turn / Direction/ Preset position/ External zero position/ Total range adjustable,	
Protection class	IP65 (Shell IP67 / Shaft IP65)	
Optional signal for Incremental encoder		
Output mode	HTL/push-pull output, TTL/RS422, voltage output, current output	
Output signal	A B , A B Z or A B Z + A/ B/ Z/	
Operating voltage	5±0.25 VDC or 10....30VDC	
Number of pulse	1~5000 (5000~100000 with PLC)	
Connection	Cable or Connector	

Dimension Drawing:



Order Reference						
RNLS348	-5000	B	L	E	C01	D
Series	Measuring range	Encoder type	Output signal	Operating voltage	Connection	Special customization
RNLS348	5000 :5000mm 5500 :5500mm 6000 :6000mm	A : Incremental pulse output B : Absolute signal output	FB : pulse signal L : 4-20mA 0L : 0-20mA V : 0-5V 0V : 0-10V RS : RS485 R2 : RS422 RM : Modbus SG : SSIGray Code SB : SSIbinary PG : Parallel Gray code PB : Parallel binary CA : CANopen DP : Profibus-DP NT : DeviceNet	E : 10-30Vdc A : 5Vdc	C01 : Side Cable C02 : Rear Cable C03 : Side connector C04 : Rear connector	D: Cable extension E : Mounting plate F1: With cover