

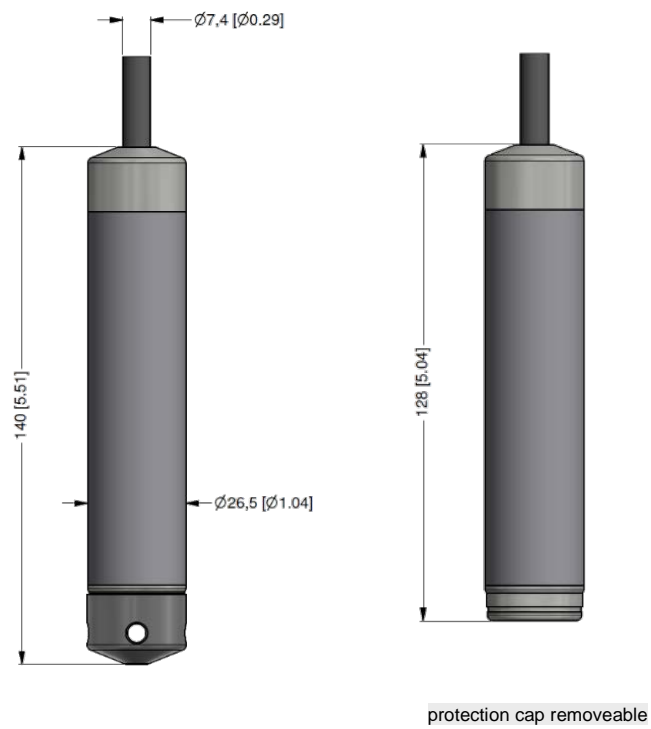
Input pressure range										
Nominal pressure gauge	[bar]	0.1	0.16	0.25	0.4	0.6	1	1.6	2.5	4
Level	[mH ₂ O]	1	1.6	2.5	4	6	10	16	25	40
Overpressure	[bar]	0.5	1	1	2	5	5	10	10	20
Max. ambient pressure (housing): 40 bar										
Output signal / supply										
Digital	i ² C Power Save / V _S = 2.7 ... 5.5 V _{DC} sensor signal conditioner ZSC31014									
Performance										
Accuracy ¹	standard: ≤ ± 0.25 % FSO option: ≤ ± 0.1 % FSO									
Long term stability	≤ ± 0.1 % FSO / year at reference conditions									
Measuring rate	8 Hz (adjustable from 8 up to 660 Hz)									
Current consumption	min. 0.15 mA (V _S 2.7 V, measuring rate 8 Hz), max. 3.2 mA (V _S 5.5 V, measuring rate 660 Hz)									
¹ accuracy according to IEC 61298-2 – limit point adjustment (non-linearity, hysteresis, repeatability)										
Thermal effects (offset and span)										
Tolerance band	≤ ± 0.75 % FSO									
in compensated range	-20 ... 85 °C									
Permissible temperatures										
Medium	-10 ... 70 °C									
Storage	-25 ... 70 °C									
Electrical protection										
Short-circuit protection	none									
Reverse polarity protection	by exchanged supply connections no damage, but also no function by exchange of communication with supply lines, a damage is possible									
Electrical connection										
Cable with sheath material ²	PUR (-10 ... 70 °C) black Ø 7.4 mm max. cable length 50 m ³ FEP (-10 ... 70 °C) black Ø 7.4 mm max. cable length 50 m ³									
Cable capacitance	signal line/shield also signal line/signal line: 160 pF/m									
Cable inductance	signal line/shield also signal line/signal line: 1 µH/m									
Bending radius	static installation: 10-fold cable diameter dynamic application: 20-fold cable diameter									
² shielded cable with integrated ventilation tube for atmospheric pressure reference										
³ with max. cable length and standard settings, the bus frequency must be set to < 100 kHz										
Materials (media wetted)										
Housing	stainless steel 1.4404 (316L)									
Seals	FKM, EPDM, others on request									
Diaphragm	stainless steel 1.4435 (316L)									
Protection cap	POM-C									
Cable sheath	PUR, FEP, others on request									
Miscellaneous										
Weight	approx. 200 g (without cable)									
Ingress protection	IP 68									
Pull-up resistor	4.7 kΩ (recommended)									
Wiring diagram / pin configuration										
	Electrical connection	Cable colours (IEC 60757)								
	Supply + Supply – SCL SDA	WH (white) BN (brown) GN (green) YE (yellow)								
	Shield	GNYE (green-yellow)								

DCL 532

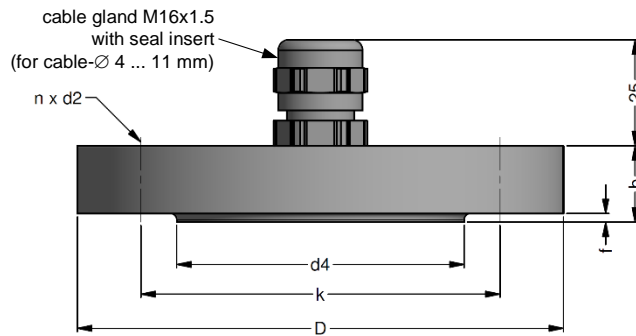
Stainless Steel Probe with i²C interface

Technical Data

Dimensions (mm / in)



Mounting flange with cable gland



dimensions in mm			
size	DN25 / PN40	DN50 / PN40	DN80 / PN16
b	18	20	20
D	115	165	200
d2	14	18	18
d4	68	102	138
f	2	3	3
k	85	125	160
n	4	4	8

Technical data

Suitable for	all probes		
Flange material	stainless steel 1.4404 (316L)		
Material of cable gland	standard: brass, nickel plated on request: stainless steel 1.4305 (303); plastic		
Seal insert	material: TPE (ingress protection IP 68)		
Hole pattern	according to DIN 2507		
Ordering type	Ordering code	Weight	
DN25 / PN40 with cable gland brass, nickel plated	ZMF2540	1.4 kg	
DN50 / PN40 with cable gland brass, nickel plated	ZMF5040	3.2 kg	
DN80 / PN16 with cable gland brass, nickel plated	ZMF8016	4.8 kg	

Terminal clamp



Technical data

Suitable for	all probes with cable Ø 5.5 ... 10.5 mm		
Material of housing	standard: steel, zinc plated optionally: stainless steel 1.4301 (304)		
Material of clamping jaws	PA (fibre-glass reinforced)		
Dimensions (mm)	174 x 45 x 32		
Hook diameter	20 mm		
Ordering type	Ordering code	Weight	
Terminal clamp, steel, zinc plated	Z100528	approx. 160 g	
Terminal clamp, stainless steel 1.4301 (304)	Z100527		

